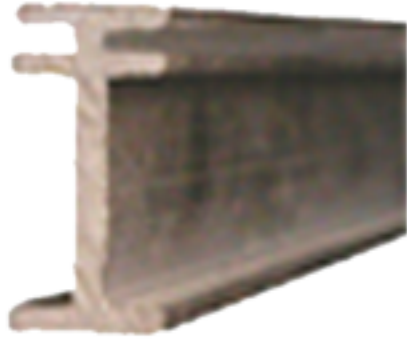
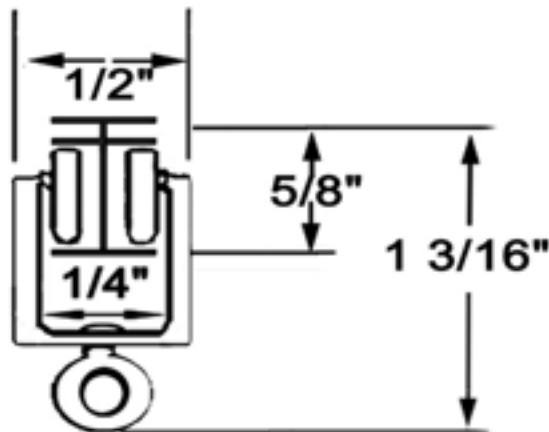


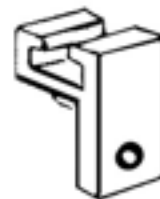
# I BEAM, LIGHT-DUTY #6-005



Aluminum I-Beam (Light Duty), 1/2" (12.5mm) wide x 13/16" (16mm) high.  
 Natural Aluminum. Requires mounting bracket.  
 Custom cut to length. Max, Length 16 ft (4.9mtrs).  
 Stainless Steel Philips head screws included 3/4" (19mm) long.  
 Best suited for top mounting. Bendable by hand on the job.  
 Use for Wheelhouse, or Hospital Curtains.



**# 6-085**  
 CEILING BRACKET



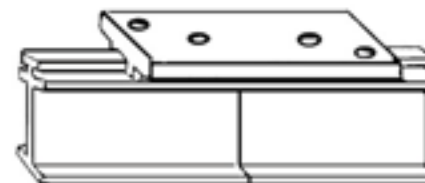
**# 6-120**  
 END STOP



**# 6-019**  
 ROLLER W/HOOK



**# 6-016**  
 SMALL ROLLER



**# 6-311 SPLICE**  
 WORKS WITH BOTH  
 HEAVY & LIGHT DUTY TRACKS